

Ceres



Model Ceres 0406

The Globe-fire Ceres is the embodiment of romance and will bring comfort to your home.

Its compactness and timeless look makes this stove a suitable option for many houses.

This Ceres is made of solid cast iron using the very latest techniques, making it possible to cook and warm the house without any worries.

With this latest technology the stove can be regulated to your own wishes and personal needs, which also increases durability.

Furthermore our wood burners have been produced in such a way that they are recyclable at all times.

The wood burning area is suitable for wood with a length of 28cm.

With a Ceres in your home you can imagine yourself back in grandmother's time.

Technical Information

Efficiency	: 80,4 %	Tested capacity	: 6 kW
Weight	: 88 Kg	Flue gas flow Wood	: 6,5 m (g/s)
Flue connection	: 120 mm	Pressure	: 10 p (Pa)
Flue gas temperature Wood	: 327 °C	Dust in mg.	: 35 mg/Nm ³
Capacity	: 3-7 kW		

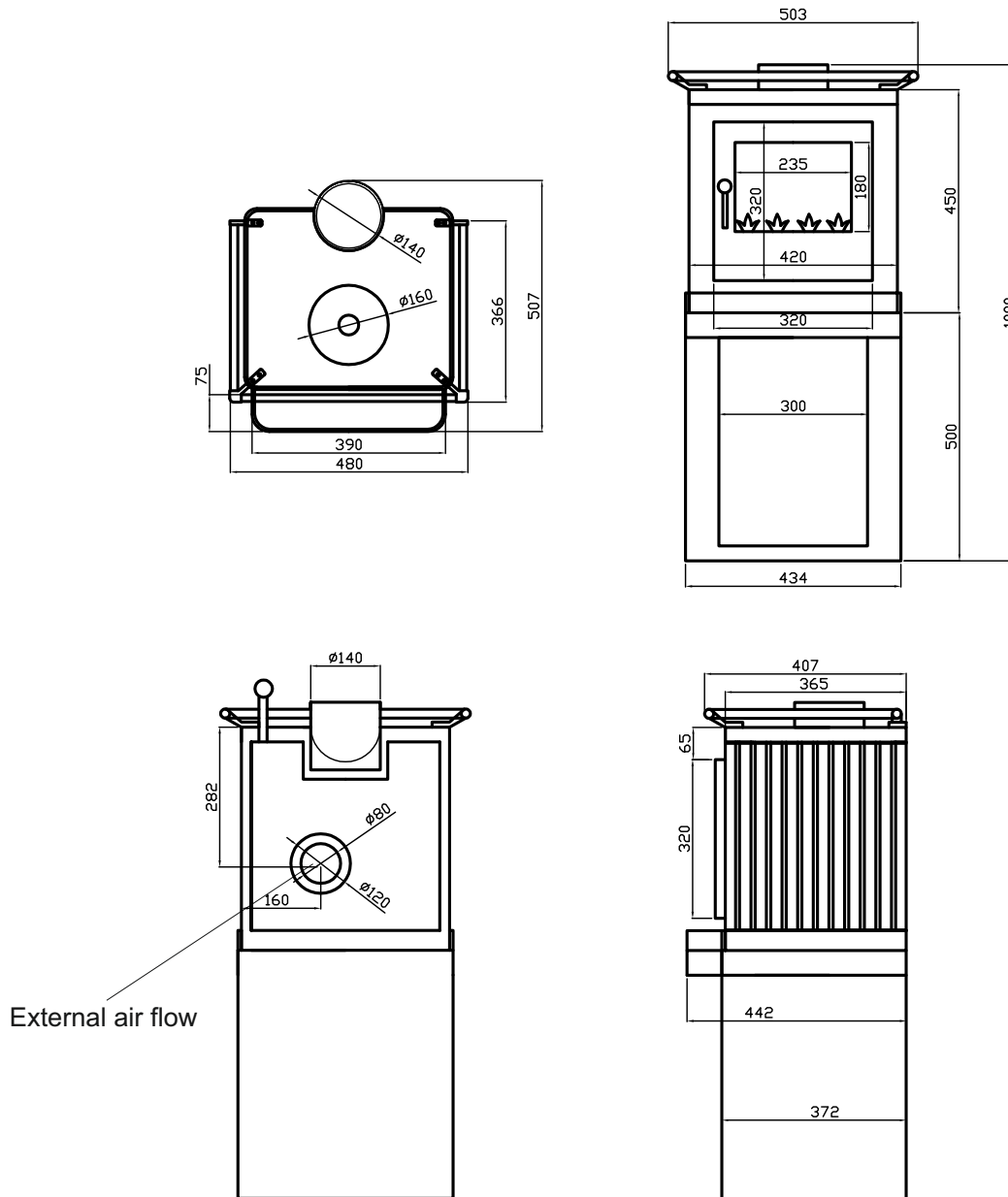
Energy rating:



Tested according to the following standards: gem. Art. 15a B-VG, BStV München, Regensburg, Stuttgart and Aachen, gem. DIN plus, Ö-Norm, CE norm, 1.+2. BimschV. and Luftreinhalte-Verordnung Switzerland.

Ceres

Drawings, measurements and technical information



Extra Details / Technical Information

Measurements in mm HxWxD	Fire place mm HxWxD	Fire opening in mm HxW	Stove window HxW	External air flow	Design	Fleu height pipe	1+ 2 BimschV	Capacity in cbm	Tested according	
1000x434x442	230x280x275	160x280	180x235	yes	1	665	yes	160	13240	
Colour	Inside of fire	Fuel	Continuing/ time burning	Fire rotation grip	Ash pan	Fire/rotating grid	Primary air	Secondary air	O-Norm	Clean air act Switzerland
Black	Cast Iron	Wood/coal	Time burning	yes	yes	yes	yes	yes	yes	yes
Dust in Mg on 13% O2: 35 mg/Nm ³		NOX: 109 mg/Nm ³ CO: 1250 mg/Nm ³		OGC: 60 mg/Nm ³		Anf. der Städte München, Aachen Stuttgart und Regensburg nach DIN plus			yes	
Values converted: 22 mg/MJ		68 mg/MJ		753 mg/MJ						

- Globe fire -

Globefire Ch.Leibfried GmbH, An der Bundesstraße 2,
D-49733 Haren / Ems, Germany

Tested stove Type 1: EN 13240: 2001+A2: 2007

Type	Stove Ceres ST 04 06		
Declaration of performance Nr.	009-CPR-2013.06.10 B		
Test institute Number	1625		
Test-Nr.	RRF - 40061038		
Heat output / Energy efficiency	Fulfilled		
.Efficiency	80,4 %		
.Nominal heat output	6 kW		
.Room efficiency	6 kW		
.Heat output	3 - 7 kW		
Mechanic solidity	Fulfilled		
Surface temperature	Fulfilled		
Combustion products	CO-Emission: 1250 mg/Nm ³ - 753 mg/MJ		
.Flue gas temperature	224 °C		
Fire safety	Fulfilled		
.Fire behavior	A1		
.Minimal distance to flammable materials:	Side: 20 cm Rear: 20 cm Bottom: 0 cm Front stove window: 80 cm		
Fuel	Wood and coal	Time burning	
Dust in Mg on 13% O ₂ : 35 mg/Nm ³	Nox: 109mg/Nm ³	CO: 1250 mg/Nm ³	OGC:60 mg/Nm ³
Values (converted): 22 mg/MJ	68 mg/MJ	753 mg/MJ	38 mg/MJ
VKF Switzerland	25283		

Reading and follow up of given guidelines in the manuel

The connection of more stoves to one chimney is permitted



Approved German tests and CE mark EN 13240:2001 + A2:2007, according DINplus and also according Art. 15A B-VG Ö-Norm Austria.
1. and 2. level 1. BimschV Germany and also Luftreinhalte-Verordnung Switzerland.