

Comet ST1017



Model Comet 1017

This classic looking stove fits into a rustic living room. The two doors bring back nostalgic feelings of earlier times.

The stove can be filled with 50 cm long wood logs from the door at the side.

This model is also made of solid cast iron and an asset to your room.

The stove is fitted with a fire/rotating grid and an external air vent at the rear.

Technical Information

Efficiency	: 80,7 %
Weight	: 167 Kg
Flue connection	: 150 mm
Flue gas temperature Wood	: 320 °C
Capacity	: 6-12 kW

Tested capacity	: 8 kW
Flue gas flow Wood	: 8,1 m (g/s)
Pressure	: 12 p (Pa)
Dust in mg.	: 32 mg/Nm ³

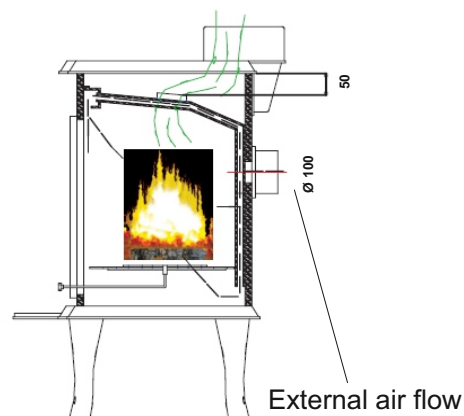
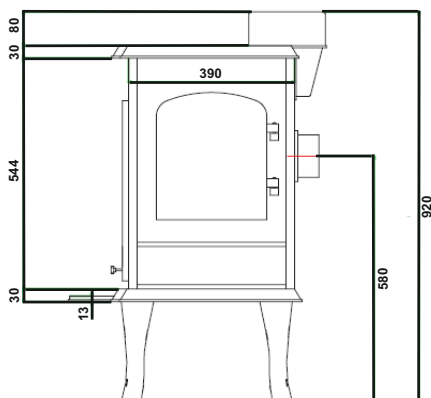
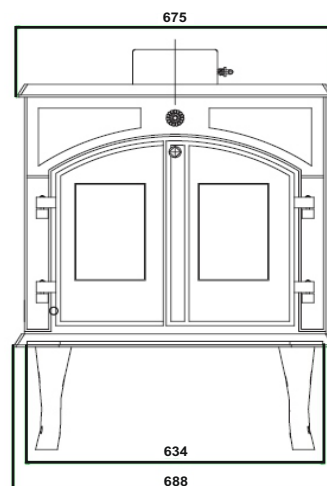
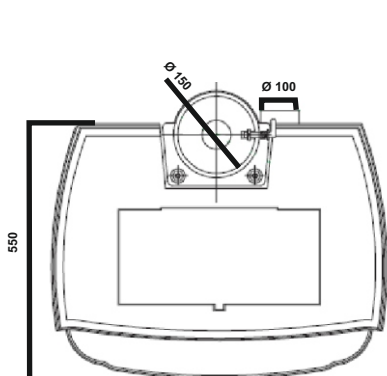
Energy rating:



Tested according to the following standards: gem. Art. 15a B-VG, BStV München, Regensburg, Stuttgart and Aachen, gem. DIN plus, Ö-Norm, CE norm, 1.+2. BimschV. and Luftreinhalte-Verordnung Switzerland.

Comet St1017

Drawings, measurements and technical information




Extra Details / Technical Information

Measurements in mm HxWxD	Fire place mm HxWxD	Fire opening in mm HxW	Stove window HxW	External air flow	Design	Fleu height pipe	1+ 2 BimschV	Capacity in cbm	Tested according	
920x675x550	380x580x340	270x220	220x150 2x	yes	A1	870	yes	210	13240	
Colour	Inside of fire	Fuel	Continuing/ time burning	Fire rotation grip	Ash pan	Fire/rotating grid	Primary air	Secondary air	O-Norm	Clean air act Switzerland
Black	Cast Iron	Wood/coal	Time burning	yes	yes	yes	yes	yes	yes	yes
Dust in Mg on 13% O2: 32 mg/Nm ³		NOX: 118 mg/Nm ³	CO: 875 mg/Nm ³	OGC: 53 mg/Nm ³	Anf. der Städte München, Aachen Stuttgart und Regensburg nach DIN plus				yes	
Values converted: 21 mg/MJ		74 mg/MJ	582 mg/MJ	34 mg/MJ						

- Globe fire -

Globefire Ch.Leibfried GmbH, An der Bundesstraße 2,
D-49733 Haren / Ems, Germany

Tested stove Type 1: EN 13240: 2001+A2: 2007

Type	Stove Comet ST 1017		
Declaration of performance Nr.	002-CPR-2013.06.10		
Test institute Number	1625		
Test-Nr.	RRF - 40071331		
Heat output / Energy efficiency	Fulfilled		
.Efficiency	80,7 %		
.Nominal heat output	8 kW		
.Room efficiency	8 kW		
.Heat output	6 - 12 kW		
Mechanic solidity	Fulfilled		
Surface temperature	Fulfilled		
Combustion products	CO-Emission: 875 mg/Nm ³ - 582 mg/MJ		
.Flue gas temperature	278 °C		
Fire safety	Fulfilled		
.Fire behavior	A1		
.Minimal distance to flammable materials:	Side: 40 cm Rear: 20 cm Bottom: 0 cm Front stove window: 80 cm		
Fuel	Wood and coal	Time burning	
Dust in Mg on 13% O ₂ : 33 mg/Nm ³	Nox: 118mg/Nm ³	CO: 875 mg/Nm ³	OGC:53 mg/Nm ³
Values (converted): 21 mg/MJ	74 mg/MJ	582 mg/MJ	34 mg/MJ
VKF Switzerland	25281		
Reading and follow up of given guidelines in the manuel			
The connection of more stoves to one chimney is permitted			

Approved German tests and CE mark EN 13240:2001 + A2:2007, according
DINplus and also according Art. 15A B-VG Ö-Norm Austria.
1. and 2. level 1. BimschV Germany and also Luftreinhalte-Verordnung
Switzerland.