

EROS I



Model Eros I 2800 SY

Eros I, a bewitching stove that could have come straight from the Arabian Nights. Stylish, elegant, quality and of course fitted with high standard combustion technology. The door on the left hand side makes it possible to load wood lengths up to 33 cm. This stove, like our other stoves, can be used with coal. Eros II is the same model with a door on the right and two doors at the front.

As an extra, chrome/messing knobs can be placed on the top of the stove.

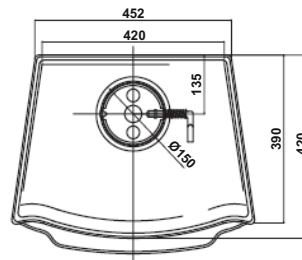
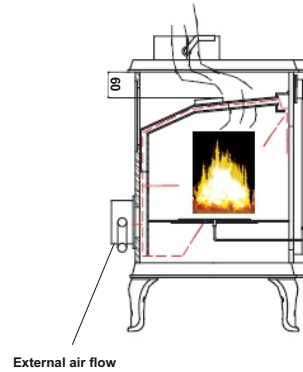
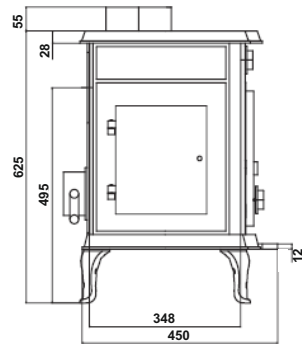
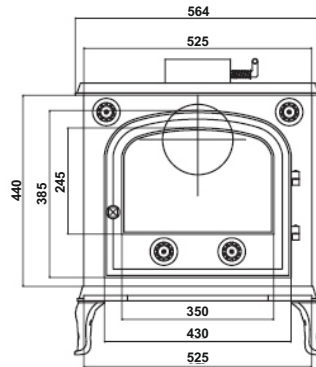
Technical Information

Efficiency	: 80,4 %	Tested capacity	: 6 kW	Energy rating:
Weight	: 115 Kg	Flue gas flow Wood	: 6,5 m (g/s)	
Flue connection	: 150 mm	Pressure	: 10 p (Pa)	
Flue gas temperature Wood	: 327 °C	Dust in mg	: 35 mg/Nm ³	
Capacity	: 3-7 kW			

Tested according to the following standards: gem. Art. 15a B-VG, BStV München, Regensburg, Stuttgart and Aachen, gem. DIN plus, Ö-Norm CEN norm, 1.+2. BimschV. and Luftreinhalte-Verordnung Switzerland.

EROS I 2800 SY

Drawings, measurements and technical information




Extra Details / Technical Information

Measurements in mm HxWxD	Fire place mm HxWxD	Fire opening in mm HxW	Stove window HxW	External air flow	Design	Fleu height pipe	1+ 2 BimschV	Capacity in cbm	Tested according	
690x610x450	270x400x300	180x200	165x270	yes	1	640	yes	160	13240	
Colour	Inside of fire	Fuel	Continuing/ time burning	Fire rotation grip	Ash pan	Fire/rotating grid	Primary air	Secondary air	O-Norm	Clean air act Switzerland
Black	Cast Iron	Wood/coal	Time burning	yes	yes	yes	yes	yes	yes	yes
Dust in Mg on 13% O ₂ : 35 mg/Nm ³		NOX: 109 mg/Nm ³		CO: 1250 mg/Nm ³		OGC:60 mg/Nm ³		Anf. der Städte München, Aachen Stuttgart und Regensburg nach DIN plus		yes
Values converted: 22 mg/MJ		68 mg/MJ		753 mg/MJ		38 mg/MJ				

- Globe fire -

Globefire Ch.Leibfried GmbH, An der Bundesstraße 2,
D-49733 Haren / Ems, Germany

Tested stove Type 1: EN 13240: 2001+A2: 2007

Type	Stove Eros ST 2800		
Declaration of performance Nr.	009-CPR-2013.06.10 A		
Test institute Number	1625		
Test-Nr.	RRF - 40061038		
Heat output / Energy efficiency	Fulfilled		
.Efficiency	80,4 %		
.Nominal heat output	6 kW		
.Room efficiency	6 kW		
.Heat output	3 - 7 kW		
Mechanic solidity	Fulfilled		
Surface temperature	Fulfilled		
Combustion products	CO-Emission: 1250 mg/Nm ³ - 753 mg/MJ		
.Flue gas temperature	224 °C		
Fire safety	Fulfilled		
.Fire behavior	A1		
.Minimal distance to flammable materials:	Side: 20 cm	Rear: 20 cm	Bottom: 0 cm
	Front stove window: 80 cm		
Fuel	Wood	Time burning	
Dust in Mg on 13% O ₂ : 35 mg/Nm ³	Nox: 109mg/Nm ³	CO: 1250 mg/Nm ³	OGC: 60 mg/Nm ³
Values (converted): 22 mg/MJ	68 mg/MJ	753 mg/MJ	38 mg/MJ
VKF Switzerland	25283		
Reading and follow up of given guidelines in the manuel			
The connection of more stoves to one chimney is permitted			
<p>Approved German tests and CE mark EN 13240:2001 + A2:2007, according DINplus and also according Art. 15A B-VG Ö-Norm Austria. 1. and 2. level 1. BimschV Germany and also Luftreinhalte-Verordnung Switzerland.</p>			