

LUNA II L



Model Luna II L 001

The Luna II L is one of our models that is simple and compact, fitting into a modern interior very well. This model is of a high quality, resulting in a clean burning in your stove and chimney. This model is also available with a warming space. (Luna II H)
Both types are available in black Granite.
A real piece of furniture in your home.

Technical Information

Efficiency	: 81,5 %	Tested capacity	: 6 kW
Weight	: 182 Kg	Flue gas flow Wood	: 6,1 m (g/s)
Flue connection	: 150 mm	Pressure	: 12 p (Pa)
Flue gas temperature Wood	: 320 °C	Dust in mg.	: 32 mg/Nm ³
Capacity	: 4-8 kW		

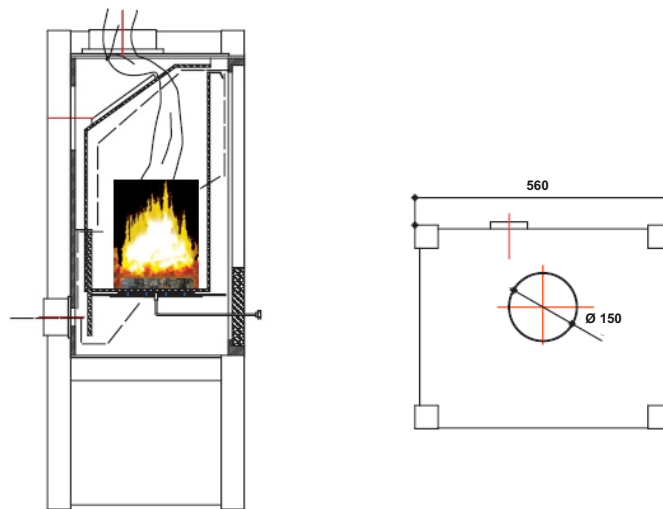
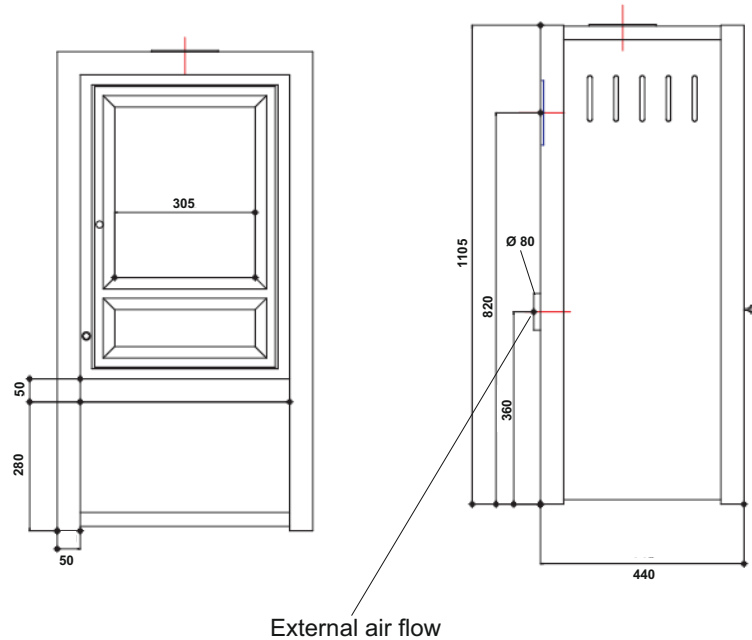
Energy rating:



Tested according to the following standards: gem. Art. 15a B-VG, BStV München, Regensburg, Stuttgart and Aachen, gem. DIN plus, Ö-Norm, CE norm, 1.+2. BimschV. and Luftreinhalte-Verordnung Switzerland.

LUNA II L

Drawings, measurements and technical information



Extra Details / Technical Information

Measurements in mm HxWxD	Fire place mm HxWxD	Fire opening in mm HxW	Stove window HxW	External air flow	Design	Fleu height pipe	1+ 2 BimschV	Capacity in cbm	Tested according	
1020x563x445	450x295x275	350x295	370x305	yes	A1	970	yes	160	13240	
Colour	Inside of fire	Fuel	Continuing/ time burning	Fire rotation grip	Ash pan	Fire/rotating grid	Primary air	Secondary air	O-Norm	Clean air act Switzerland
Black	Cast Iron	Wood/coal	Time burning	yes	yes	yes	yes	yes	yes	yes
Dust in Mg on 13% O2: 32 mg/Nm ³		NOX: 120 mg/Nm ³ CO: 1125 mg/Nm ³		OGC: 77 mg/Nm ³		Anf. der Städte München, Aachen Stuttgart und Regensburg nach DIN plus				
Values converted: 20 mg/MJ		76 mg/MJ		715 mg/MJ						48 mg/MJ

- Globe fire -

Globefire Ch.Leibfried GmbH, An der Bundesstraße 2,
D-49733 Haren / Ems, Germany

Tested stove Type 1: EN 13240: 2001+A2: 2007

Type	Stove Luna ST 001		
Declaration of performance Nr.	004-CPR-2013.06.10		
Test institute Number	1625		
Test-Nr.	RRF - 40081743		
Heat output / Energy efficiency	Fulfilled		
.Efficiency	81,5 %		
.Nominal heat output	6 kW		
.Room efficiency	6 kW		
.Heat output	4 - 8 kW		
Mechanic solidity	Fulfilled		
Surface temperature	Fulfilled		
Combustion products	CO-Emission: 1125 mg/Nm ³ - 715 mg/MJ		
.Flue gas temperature	236 °C		
Fire safety	Fulfilled		
.Fire behavior	A1		
.Minimal distance to flammable materials:	Side: 80 cm Rear: 20 cm Bottom: 0 cm Front stove window: 80 cm		
Fuel	Wood Time burning		
Dust in Mg on 13% O ₂ : 32 mg/Nm ³	Nox: 120mg/Nm ³	CO: 1125 mg/Nm ³	OGC:77 mg/Nm ³
Values (converted): 20 mg/MJ	76 mg/MJ	715 mg/MJ	48 mg/MJ
VKF Switzerland	25294		

Reading and follow up of given guidelines in the manuel

The connection of more stoves to one chimney is permitted



Approved German tests and CE mark EN 13240:2001 + A2:2007, according DINplus and also according Art. 15A B-VG Ö-Norm Austria.
1. and 2. level 1. BimschV Germany and also Luftreinhalte-Verordnung Switzerland.