

Neptune



Model Neptune 244

Perhaps you need to heat a large room or use the stove as your daily means of heating? That will be no problem with this all-round stove.

The stove is made of high quality cast iron, can be filled with 50 cm logs through the side door and is wood or coal burning.

On the top cover there is a built-in cooking plate which opens up.

The stove is equipped with a fire/ rotating grid and also a built-in air vent in the connection part for the flue pipe

Technical Information

Efficiency	: 80,8 %	Tested capacity	: 7 kW
Weight	: 172 Kg	Flue gas flow Wood	: 8 m (g/s)
Flue connection	: 150 mm	Flue gas flow Coal	: 7,7 m (g/s)
Flue gas temperature Wood	: 276 °C	Pressure	: 8-10 p (Pa)
Flue gas temperature Coal	: 286 °C	Dust in mg.	: 31 mg/Nm ³
Capacity	: 6-8 kW		

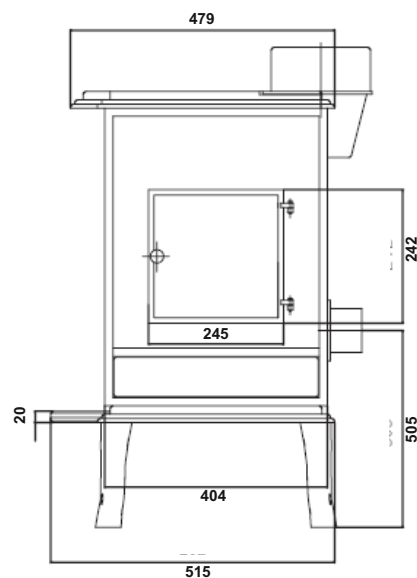
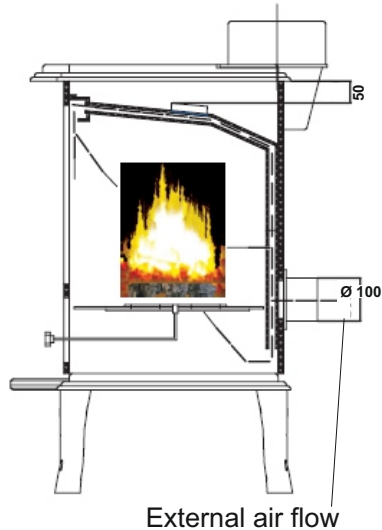
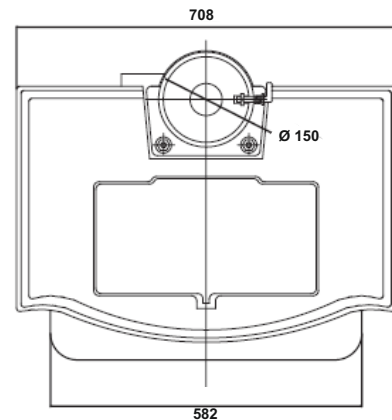
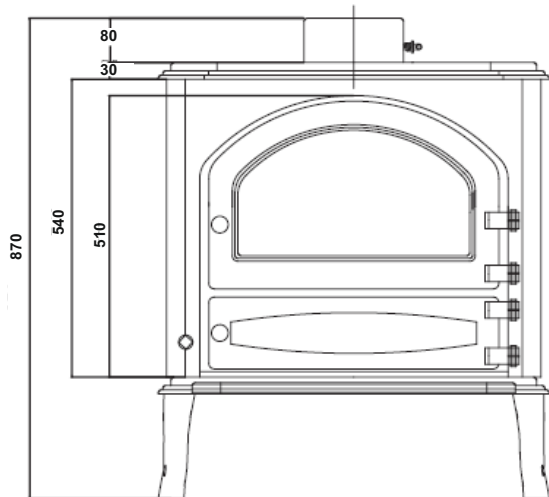
Energy rating:



Tested according to the following standards: gem. Art. 15a B-VG, BStV München, Regensburg, Stuttgart and Aachen, gem. DIN plus, Ö-Norm, CE norm, 1.+2. BimschV. and Luftreinhalte-Verordnung Switzerland.

Neptune

Drawings, measurements and technical information




Extra Details / Technical Information

Measurements in mm HxWxD	Fire place mm HxWxD	Fire opening in mm HxW	Stove window HxW	External air flow	Design	Fleu height pipe	1 + 2 BimschV	Capacity in cbm	Tested according	
870x710x490	340x620x320	220x220	240x440	yes	A1	830	yes	180	13240	
Colour	Inside of fire	Fuel	Continuing/ time burning	Fire rotation grip	Ash pan	Fire/rotating grid	Primary air	Secondary air	O-Norm	Clean air act Switzerland
Black	Cast Iron	Wood/coal	Time burning	yes	yes	yes	yes	yes	yes	yes
Dust in Mg on 13% O ₂ : 31 mg/Nm ³		NOX: 92 mg/Nm ³		CO: 1125 mg/Nm ³		OGC: 57 mg/Nm ³		Anf. der Städte München, Aachen Stuttgart und Regensburg nach DIN plus		yes
Values converted: 19 mg/MJ		58 mg/MJ		703 mg/MJ		36 mg/MJ				

- Globe fire -

Globefire Ch.Leibfried GmbH, An der Bundesstraße 2,
D-49733 Haren / Ems, Germany

Tested stove Type 1: EN 13240: 2001+A2: 2007

Type	Stove Neptune ST 244		
Declaration of performance Nr.	005-CPR-2013.06.10 A		
Test institute Number	1625		
Test-Nr.	RRF - 40061039		
Heat output / Energy efficiency	Fulfilled		
.Efficiency	80,8 %		
.Nominal heat output	7 kW		
.Room efficiency	7 kW		
.Heat output	6 - 8 kW		
Mechanic solidity	Fulfilled		
Surface temperature	Fulfilled		
Combustion products	CO-Emission: 1125 mg/Nm ³ - 703 mg/MJ		
.Flue gas temperature	254 °C		
Fire safety	Fulfilled		
.Fire behavior	A1		
.Minimal distance to flammable materials:	Side: 60 cm Rear: 20 cm Bottom: 0 cm Front stove window: 80 cm		
Fuel	Wood and coal Time burning		
Dust in Mg on 13% O ₂ : 31 mg/Nm ³	Nox: 92mg/Nm ³	CO: 1125 mg/Nm ³	OGC:57 mg/Nm ³
Values (converted): 19 mg/MJ	58 mg/MJ	703 mg/MJ	36 mg/MJ
VKF Switzerland	25291		
Reading and follow up of given guidelines in the manuel			
The connection of more stoves to one chimney is permitted			

Approved German tests and CE mark EN 13240:2001 + A2:2007, according DINplus and also according Art. 15A B-VG Ö-Norm Austria.
1. and 2. level 1. BimschV Germany and also Luftreinhalte-Verordnung Switzerland.