

Atlas



Model Atlas 1060 GY- 19

The Atlas, just like its Greek namesake, projects strength and durability.

The source of this strength and durability is to be found in the high quality cast iron steel and the latest technical developments which have been applied to this stove.

This ensures a long lifespan giving you and your family long term cooking pleasure and a homely ambiance.

The spacious hotplates give ample room for all you pots and pans.

The oven is made of high quality stainless steel.

There is also the possibility to add extra accessories to the stove such as a distance frame, a grill plate and a shelf attachment.

Our wood stoves have been produced in a way that makes them fully recyclable.

Technical Information

Efficiency	: 76 %	Tested capacity	: 7 kW
Weight	: 140 Kg	Flue gas flow Wood	: 15,8 m (g/s)
Flue connection	: 120 mm	Flue gas flow coal	: 25,5 m (g/s)
Flue gas temperature Wood	: 226 °C	Pressure	: 12 p (Pa)
Flue gas temperature Coal	: 232 °C	Dust in mg.	: 31 mg/Nm ³
Capacity	: 6-8 kW		

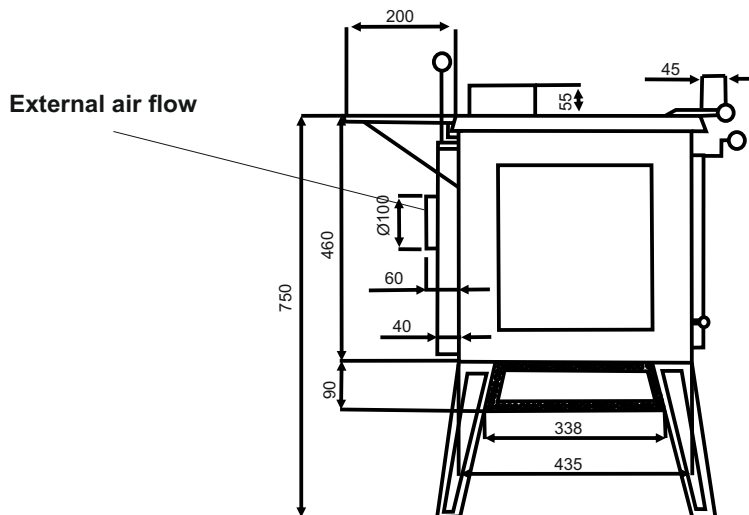
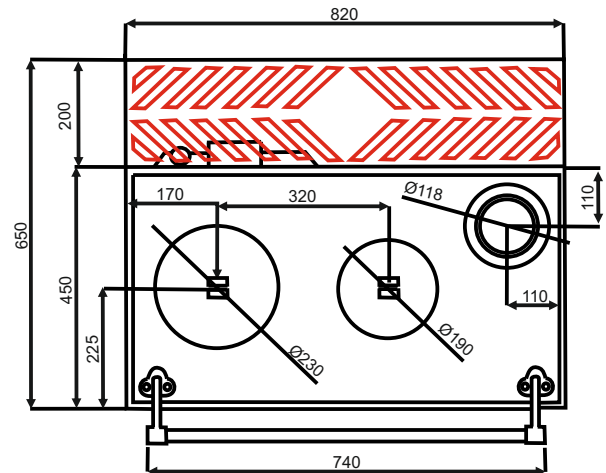
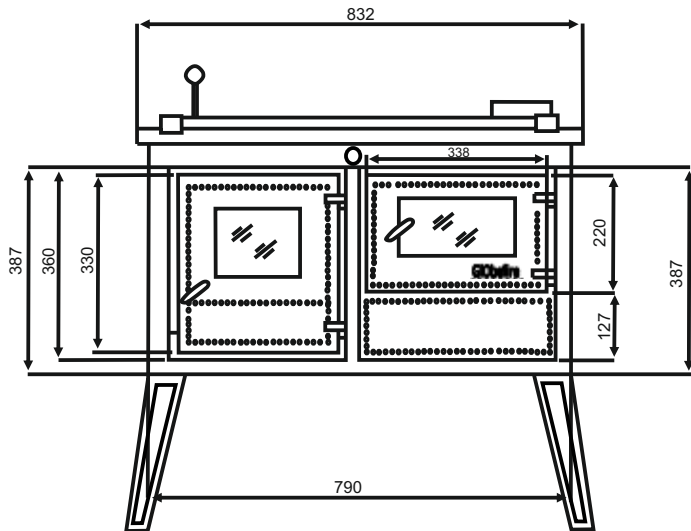
Energy rating:



Tested according to the following standards: gem. Art. 15a B-VG, BStV München, Regensburg, Stuttgart and Aachen, gem. DIN plus, Ö-Norm, CE norm, 1.+2. BimschV. and Luftreinhalte-Verordnung Switzerland.

Atlas St1060 GY-19

Drawings, measurements
and technical information




Extra Details / Technical Information

Measurements in mm HxWxD	Fire place mm HxWxD	Oven HxWxD	Stove window HxW	Fire opening in mm HxW	Fleu height pipe	1+ 2 BimschV	Capacity in cbm	Tested according			
832x805x510	250x310x345	200x300x410	125x165	195x230	780	ja	165	12815			
Colour	Inside of fire	Fuel	Continuing/ Time burning	Fire rotation grip	Ash pan	Grid	Primary air	Design	O-Norm	Clean air act Switzerland	
Black	Cast Iron	Wood/coal	Continuing burning	yes	yes	yes	yes	A1	yes	yes	
Dust in Mg on 13% O2: 31mg/Nm ³		NOX: 170 mg/Nm ³	CO: 1000 mg/Nm ³	OGC: 75mg/Nm ³	Anf. der Städte München, Aachen Stuttgart und Regensburg nach DIN plus					yes	
Values converted: 19 mg/MJ		107 mg/MJ	625 mg/MJ	47 mg/MJ							

- Globe fire -

Globefire Ch.Leibfried GmbH, An der Bundesstraße 2,
D-49733 Haren / Ems, Germany

Tested oven Type 1: EN 13240: 2001+ A1:2004/AC: 2007

Type	Atlas ST 1060		
Declaration of performance Nr.	001-CPR-2013.06.10		
Test institute Number	1625		
Test-Nr.	RRF - 15071505		
Heat output / Energy efficiency	Fulfilled		
.Efficiency	80,2 %		
.Nominal heat output	7 kW		
.Room efficiency	7 kW		
.Heat output	6 - 8 kW		
Mechanic solidity	Fulfilled		
Surface temperature	Fulfilled		
Combustion products	CO-Emission: 1000 mg/Nm ³ - 625 mg/MJ		
.Flue gas temperature	226 °C		
Fire safety	Fulfilled		
.Fire behavior	A1		
.Minimal distance to flammable materials:	Side: 20 cm Rear: 20 cm Bottom: 0 cm Front stove window: 80 cm		
Fuel	Wood and coal Time burning		
Dust in Mg on 13% O ₂ : 31 mg/Nm ³	Nox: 170mg/Nm ³	CO: 000 mg/Nm ³	OGC:75 mg/Nm ³
Values (converted): 19 mg/MJ	107 mg/MJ	625 mg/MJ	47 mg/MJ
VKF Switzerland	25279		
Reading and follow up of given guidelines in the manuel			
The connection of more stoves to one chimney is permitted			

Approved German tests and CE mark EN 13240:2001/A1 2004/AC:2007, according DINplus and also according Art. 15A B-VG Ö-Norm Austria.
1. and 2. level 1. BimschV Germany and also Luftreinhalte-Verordnung Switzerland.