

# Christoph



## Model Christoph

The Christoph is an elegant and modern pellet stove with a streamlined steel front making it a real sight for sore eyes.

The front is available in either black or white which shows the Christoph to its full advantage in any interior.

The large window allows a lovely view of the attractive play of the flames in the stove.

With storage tank of 15 Kg the flames can be enjoyed for a long period of time.

A connection to the chimney is possible at the rear and also on the top.

## Technical Information

Efficiency	: 90	%	Tested capacity	: 7,5	kW
Weight	: 60	Kg	Flue gas flow wood	: 6,0	m (g/s)
Flue connection	: 80	mm	Pressure	: 10	p (Pa)
Flue gas temperature Wood	: 204	°C	Storage tank size	: 15	Kg
Capacity	: 2,8-9,5	kW			

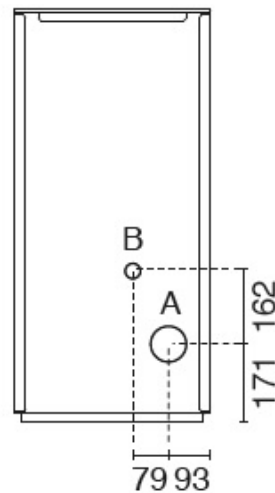
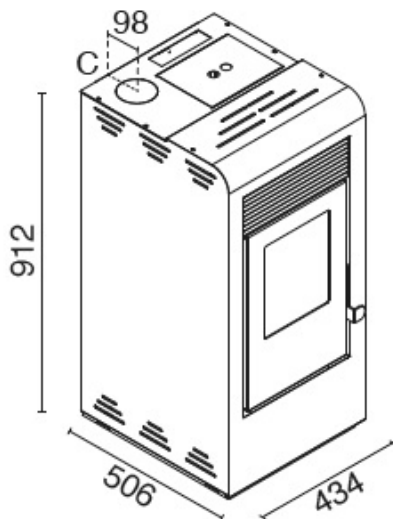
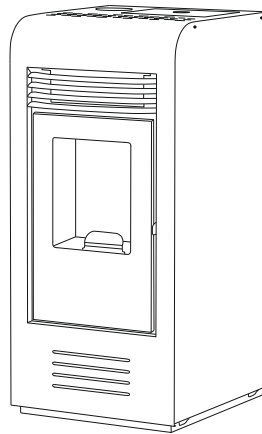
Energy rating:



**Tested according to the following standards:** gem. Art. 15a B-VG, BStV München, Regensburg, Stuttgart and Aachen, gem. DIN plus, Ö-Norm, CE norm, 1.+2. BimschV. and Luftreinhalte-Verordnung Switzerland.

# Christoph

Drawings, measurements and technical information



## Extra Details / Technical Information

Measurements in mm HxWxD	Secondary air	Design	1+ 2 BimschV	Tested according	Ö-Norm	Clean air act Switzerland	Capacity in cbm	
960x435x516	yes	1	yes	14785	yes	yes	200	
Colour	Inside of fire	Outside	Fuel	Storage Tank size	Weight	Ash pan	Grate	Fully automatic
Black/ White	Steel	Steel / Powdercoated	Woodpellets	15 Kg	60 Kg	yes	yes	yes
Dust in Mg on 13% O2: 14 mg/Nm <sup>3</sup>			NOX: 98 mg/Nm <sup>3</sup>		CO: 122 mg/Nm <sup>3</sup>		OGC: 4 mg/Nm <sup>3</sup>	

# - Globe fire -

Globefire Ch.Leibfried GmbH, An der Bundesstraße 2,  
D-49733 Haren / Ems, Germany

**Pellet stove: EN 14785:2006**  
**Heating in a building without heating and without**  
**using warm water systems**

Type	CHRISTOPH
Declaration of performance Nr	018-CPR-2019 02.20
Test institute number	IMQ SPA NB 0051
Test-Nr.	CS 17-0015 198-01
Heating capacity /energy performance	Achieved
.Performance	Nominal capacity: 85,5 % Shared capacity: 90,0 %
.Capacity	Nominal capacity: 7,5 kW Shared capacity: 2,5 kW
.Heating capacity	2,8 - 8,8 kW
Mechanical solidity	Achieved
Surface temperature	Achieved
Emission combustion products (at 13% O <sub>2</sub> )	CO: 205 mg/Nm <sup>3</sup> NOX: 150 mg/Nm <sup>3</sup>
.Flue gas temperature	204 °C
Burning realibility	Achieved
.Method of burning	A1
.Minimal distance to flammable parts:	Side: 25 cm Back: 10 cm Bottom: 0 cm Front stove window: 100 cm
Fuel	Wood pellets
Voltage: 230 V Frequency: 50Hz Nominal capacity Max. 320 W	LED
Read and follow the given instructions in the user's manual	
Tested according to DIN EN 14785:2006, 15A B-VG/ VKF 2nd faze of the BimschV Germany	
