

Pasquale



Model Pasquale

Are you looking for a pellet stove that not only heats your house but can also be used to cook? In that case the Pasquale is just the stove for you.

This pellet stove has a large hotplate on which the most delicious dishes can be prepared.

Besides this, the Pasquale has an elegant look which is also an asset to your home.

This pellet stove has a storage tank capacity of 16 Kg.

Technical Information

Efficiency	: 89,1	%	Tested capacity	: 6,7	kW
Weight	: 116	Kg	Flue gas flow wood	: 5,0	m (g/s)
Flue connection	: 80	mm	Pressure	: 10	p (Pa)
Flue gas temperature Wood	: 172	°C	Storage tank size	: 16	Kg
Capacity	: 2,5-6,7	kW			

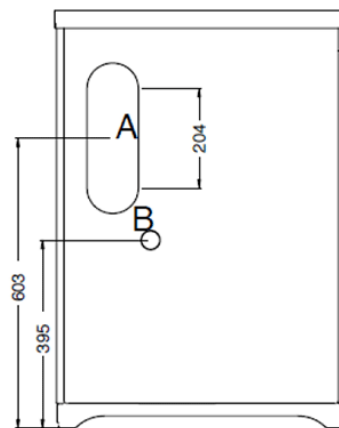
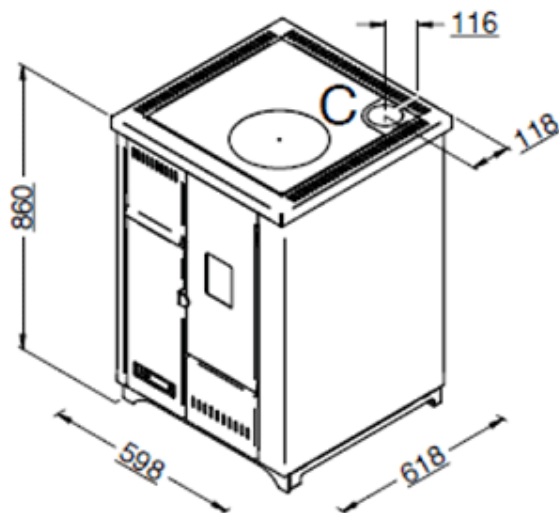
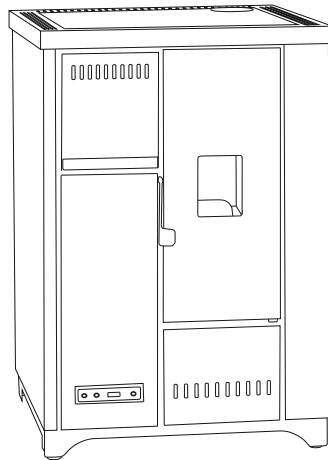
Energy rating:



Tested according to the following standards: gem. Art. 15a B-VG, BStV München, Regensburg, Stuttgart and Aachen, gem. DIN plus, Ö-Norm, CE norm, 1.+2. BimschV. and Luftreinhalte-Verordnung Switzerland.

Pasquale

Drawings, measurements and technical information




Extra Details / Technical Information

Measurements in mm HxWxD	Secondary air	Design	1+ 2 BimschV	Tested according	Ö-Norm	Clean air act Switzerland	Capacity in cbm	
860x600x618	yes	1	yes	14785	yes	yes	160	
Colour	Inside of fire	Outside	Fuel	Storage Tank size	Weight	Ash pan	Grate	Fully automatic
Black	Steel	Steel / Powdercoated	Woodpellets	16 Kg	116 Kg	yes	yes	yes
Dust in Mg on 13% O2: 19 mg/Nm ³			NOX: 139 mg/Nm ³		CO: 178 mg/Nm ³		OGC: 12,5 mg/Nm ³	

- Globe fire -

Globefire Ch.Leibfried GmbH, An der Bundesstraße 2,
D-49733 Haren / Ems, Germany

Pellet oven : EN 14785:2006
Heating in a building without heating and without
using warm water systems

Type	PASQUALE	
Declaration of performance Nr	020-CPR-2019 02.20	
Test institute number	IMQ SPA NB 0051	
Test-Nr.	151101207 Rev. 01	
Heating capacity /energy performance	Achieved	
.Performance	Nominal capacity: 88,5 % Shared capacity: 89,1 %	
.Capacity	Nominal capacity: 6,7 kW Shared capacity: 2,5 kW	
.Heating capacity	2,8 - 7,5 kW	
Mechanical solidity	Achieved	
Surface temperature	Achieved	
Emission combustion products (at 13% O ₂)	CO: 178 mg/Nm ³ NOX: 139 mg/Nm ³	
.Flue gas temperature	165 °C	
Burning realibility	Achieved	
.Method of burning	A1	
.Minimal distance to flammable parts:	Side: 20 cm Back: 1 cm Bottom: 0 cm Front stove window: 100 cm	
Fuel	Wood pellets	
Voltage: 230 V Frequency: 50Hz Nominal capacity Max. 320 W	LED	
Read and follow the given instructions in the user's manual		
Tested according to DIN EN 14785:2006, 15A B-VG/ VKF 2nd faze of the BimschV Germany		